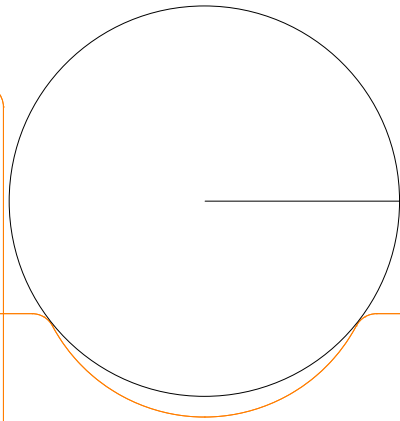
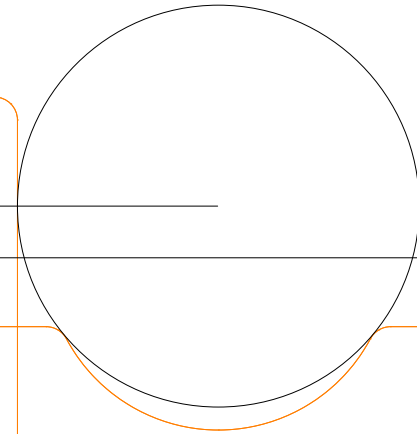


34mm



0.149"
(3.8mm)

35mm



0.177"
(4.5mm)

1.37"

$1.37" + 0.177" = 1.54"$ corrected height for 35mm scope